

Product Guide

HORN-CF2053G / B / R / W 10W 100V Line IP66 ABS AS ISO7240.24 Horn Speaker - Grey

10W One-Shot Fire Horn Speaker

- ✓ Designed to meet AS ISO7240.24 for fire/evac installations
- ✓ Twist lock cap reduces installation time
- ✓ UV stabilised ABS construction
- ✓ Excellent sound dispersion
- ✓ IP66 rated for weather resistance
- ✓ EWIS line monitoring system compatible
- ✓ Two cable glands supplied for loop in, loop out wiring
- ✓ Stainless steel mounting hardware
- ✓ 5 year warranty

Models

CF2053G	Grey
CF2053B	Black
CF2053R	Red
CF2053W	White



Application

The One-Shot horn is primarily used for fire and evacuation systems where a high degree of speech articulation and program clarity is paramount. Typical applications include schools, train and bus stations, airports, car parks and plant rooms. Approved for use in Australia under the AS ISO7240.24 standard (requires equalisation).

About Redback® Speaker Drivers

Each horn speaker has been specifically engineered to ensure a wide frequency range and dispersion angle, plus a high sound pressure level (SPL) ensuring excellent music and speech intelligibility; which is highly desirable.

Redback® drivers exhibit optimum frequency response and efficiency for BGM & paging applications.

Redback® drivers are subject to strenuous factory testing reducing the risk of unit failure or performance reduction over time.

Installation Guidelines

This One-Shot horn speaker is designed to save installers time and money. Typically to terminate cabling internally on a horn speaker it involves removing three screws on the rear cover, connecting the cable and then re-installing the same screws. This process can prove quite difficult when at the top of a ladder. The One-Shot horn eliminates screw removal by utilising a patented twist lock mechanism. The installer simply twists off the rear cover, connects the cabling and twists the cover back on. The labor savings by using the One-Shot horn on a large job are significant.



Twist lock cap makes internal termination easy! Saves time and money.

Patent/registered design pending.

To further cut installation time, a patented 'dog leg' mounting bracket is employed which eliminates the need to separate the horn from the bracket during installation.

This model is supplied with an in-built bipolar capacitor making it compatible with EWIS control systems employing line monitoring circuitry.

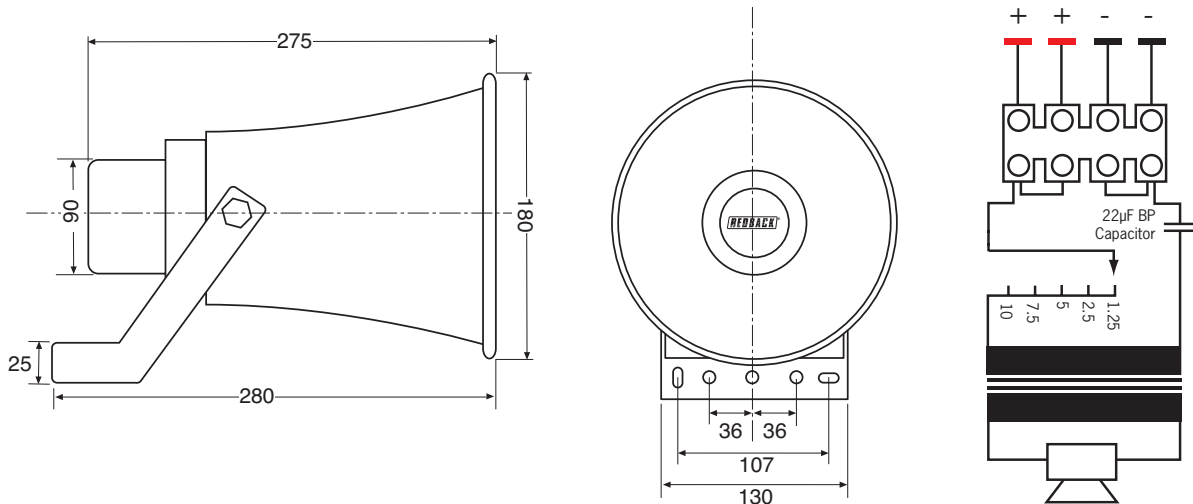
Supplied with stainless steel hardware.

The neutral grey RAL colour of CF2053G provides an architecturally unobtrusive finish to virtually any installation.

Product Guide

HORN-CF2053G / B / R / W 10W 100V Line IP66 ABS AS ISO7240.24 Horn Speaker - Grey

Dimensions & Transformer Detail



Specifications

Electrical

Power taps:	1.25, 2.5, 5, 7.5, 10W
SPL 1W @ 1m:	98dB
SPL 1W @ 4m:	86dB
SPL 10W @ 1m:	110dB
SPL 10W @ 4m:	98dB
Frequency response*:	250Hz-10kHz
Coverage Angles:	500Hz 88°, 1000Hz 127°, 2000Hz 79°, 4000Hz 58°
Connection:	4 way terminal block + 22µF bipolar capacitor
Approval:	AS ISO7240.24
Environmental Type:	B (for outdoor applications)

Mechanical

Driver construction:	Aluminium voice coil former
Mounting depth:	275mm
Overall weight:	1.8kg

Environmental

IP Rating:	IP66
Operating temperature:	-20°C to +55°C
Relative humidity:	< 95%

*Note: equalisation required for frequency response compliance to AS IS 7240.24.

Architectural Specifications

The horn speaker shall operate at 100V and have power taps of 10W, 7.5W, 5W, 2.5W and 1.25W. Power settings shall be made internally. It shall have SPL of 98dB (1W @ 1m). It shall have a frequency response of 250Hz to 10 kHz and a dispersion angle of 127° @ 1kHz. It shall have a 22µF bipolar isolation capacitor for line monitoring.

The speaker body shall be made of grey flame retardant ABS and be fitted with a twist lock cap, dual cable wiring glands and 'dog leg' mounting bracket. The speaker shall incorporate stainless steel hardware and steel mounting bracket. The speaker shall meet the approval requirements of AS ISO7240.24. The speaker shall be IP66 rated.

The horn speaker shall be a REDBACK model HORN-CF2053G.